



Uniclass K41103:P7114	EPIC D11102:X724
CI/SFB (31.54)	Xn6

June 2000

DIAMOND SLIMLINE PATIO [FEATURED]

By combining the unique featured lines and ride over technology, the Duraflex Patio Door is the experts choice. 79mm from front to back this patio door will co-ordinate with both 65 and 70mm Diamond Suite. New beads and low line gasket emphasise the feature lines. A unique combination of design and value engineering that provides a cost-effective and secure solution to refurbishment or new build.



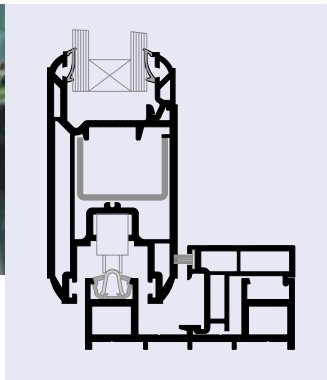
the natural choice

specification

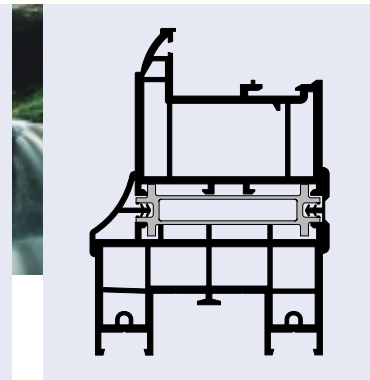
- Profile:
 - Diamond Slimline Patio [Featured]
- Colours:
 - White, Mahogany, Golden Oak,
 - Mahogany on White,
 - Golden Oak on White

- Profiles used:
 - 3615 Sash
 - 3601 Outerframe
 - 3604 Glazing Bead
 - 3603 Meeting Stile Cover
 - 3613 Steel Reinforcement
 - 3609 Weather Bar

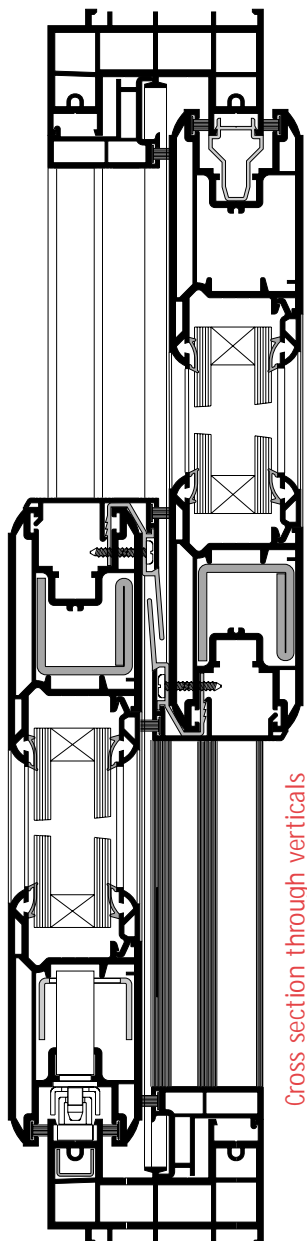
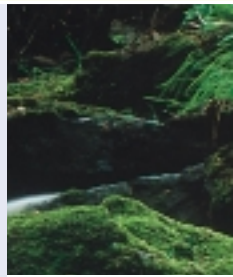
- 3618 Midrail
- 3616 Low Threshold
- 3602 Threshold/Frame Cover
- 3611 Steel Reinforcement
- 3608 Meeting Claw
- 3610 3/4 Pane Adaptor



Cross section low threshold



Patio to 65mm window joint



Cross section through verticals

- New outerframe (79mm front to back dimⁿ) can be fully welded or mechanically jointed.
- Threshold height of 58mm as standard or 39mm with low line.
- Dedicated frame couplers to suit 65mm and 70mm systems.
- New slim sash will incorporate low line post co-extruded gasket as standard (black).
- Glazing 28mm as standard.
- Easy to glaze, internally beaded system.
- Trickle ventilation provided through outerframe or over head vent.
- Midrail will accept any standard letter plate.
- 2, 3 and 4 pane options available as standard.
- Aluminium meeting claws provide optimum strength, covered by PVCu cover strips, prevent unsightly screw heads being seen through glass.



DURAFLEX
MAKING THE DIFFERENCE

Customer Centre Central Way Arle Road Cheltenham Gloucestershire GL51 8LX
Tel: 08705 351 351 www.duraflex.co.uk